



DEPARTMENT OF REGULATORY AND ECONOMIC RESOURCES (RER)
BOARD AND CODE ADMINISTRATION DIVISION

NOTICE OF ACCEPTANCE (NOA)

MIAMI-DADE COUNTY
PRODUCT CONTROL SECTION
11805 SW 26 Street, Room 208
Miami, Florida 33175-2474
T (786) 315-2590 F (786) 315-2599
www.miamidade.gov/economy

Seves Glass Block, Inc.
10576 Broadview Road
Broadview Heights, OH 44147

SCOPE: This NOA is being issued under the applicable rules and regulations governing the use of construction materials. The documentation submitted has been reviewed and accepted by Miami-Dade County RER-Product Control Section to be used in Miami Dade County and other areas where allowed by the Authority Having Jurisdiction (AHJ).

This NOA shall not be valid after the expiration date stated below. The Miami-Dade County Product Control Section (In Miami Dade County) and/or the AHJ (in areas other than Miami Dade County) reserve the right to have this product or material tested for quality assurance purposes. If this product or material fails to perform in the accepted manner, the manufacturer will incur the expense of such testing and the AHJ may immediately revoke, modify, or suspend the use of such product or material within their jurisdiction. RER reserves the right to revoke this acceptance, if it is determined by Miami-Dade County Product Control Section that this product or material fails to meet the requirements of the applicable building code.

This product is approved as described herein, and has been designed to comply with the Florida Building Code, including the High Velocity Hurricane Zone.

DESCRIPTION: Residential Hurricane Resistant Windows with THICKSET® 90 Series Glass Block and ProVantage® Silicone System

APPROVAL DOCUMENT: Drawing No. RHRW-001, titled "Residential Hurricane Resistant Windows with THICKSET® 90 Series Glass Block and ProVantage® Silicone System", sheets 1 through 3 of 3, dated 11/17/2015, prepared by the manufacturer, signed and sealed by Hermes F. Norero, P.E. on 12/19/2017, bearing the Miami-Dade County Product Control revision stamp with the Notice of Acceptance number and expiration date by the Miami-Dade County Product Control Section.

MISSILE IMPACT RATING: Large and Small Missile Impact Resistant

LABELING: Each unit shall bear a permanent label with the manufacturer's name or logo, city, state and following statement: "Miami-Dade County Product Control Approved", unless otherwise noted herein.

RENEWAL of this NOA shall be considered after a renewal application has been filed and there has been no change in the applicable building code negatively affecting the performance of this product.

TERMINATION of this NOA will occur after the expiration date or if there has been a revision or change in the materials, use, and/or manufacture of the product or process. Misuse of this NOA as an endorsement of any product, for sales, advertising or any other purposes shall automatically terminate this NOA. Failure to comply with any section of this NOA shall be cause for termination and removal of NOA.

ADVERTISEMENT: The NOA number preceded by the words Miami-Dade County, Florida, and followed by the expiration date may be displayed in advertising literature. If any portion of the NOA is displayed, then it shall be done in its entirety.

INSPECTION: A copy of this entire NOA shall be provided to the user by the manufacturer or its distributors and shall be available for inspection at the job site at the request of the Building Official.

This NOA **revises NOA #15-1201.12** and consists of this page 1 and evidence pages E-1 and E-2, as well as approval document mentioned above.

The submitted documentation was reviewed by **Carlos M. Utrera, P.E.**



[Handwritten Signature]
01/31/2018

NOA No. 17-0821.14
Expiration Date: December 1, 2020
Approval Date: February 8, 2018
Page 1

NOTICE OF ACCEPTANCE: EVIDENCE SUBMITTED

1. Evidence submitted under previous NOA's

A. **DRAWINGS** *"Submitted under NOA # 15-1201.12"*

1. Drawing No. **RHRW-001**, titled "Residential Hurricane Resistant Windows with THICKSET® 90 Series Glass Block and KWIK'N EZ Silicone System", sheets 1 through 3 of 3, dated 11/17/2015, prepared by the manufacturer, signed and sealed by Hermes F. Norero, P.E.

B. **TESTS** *"Submitted under NOA # 15-1201.12"*

1. Test reports on
 - 1) Air Infiltration Test, per FBC, TAS 202-94
 - 2) Uniform Static Air Pressure Test, Loading per FBC TAS 202-94
 - 3) Water Resistance Test, per FBC, TAS 202-94
 - 4) Large Missile Impact Test per FBC, TAS 201-94
 - 5) Cyclic Wind Pressure Loading per FBC, TAS 203-94
 - 6) Forced Entry Test, per FBC, TAS 202-94

along with marked-up drawings and installation diagram of Residential Hurricane Resistant Windows with THICKSET 90 glass block and KWIK'N EZ Silicone System", prepared by Intertek/Architectural Testing, Inc., Test Report No. **F0556.01-501.18**, dated 11/17/2015, signed and sealed by Joseph A. Reed, P.E.

"Submitted under NOA # 04-0301.01"

2. Test reports on
 - 1) Air Infiltration Test, per FBC, TAS 202-94
 - 2) Uniform Static Air Pressure Test, Loading per FBC TAS 202-94
 - 3) Water Resistance Test, per FBC, TAS 202-94
 - 4) Large Missile Impact Test per FBC, TAS 201-94
 - 5) Cyclic Wind Pressure Loading per FBC, TAS 203-94
 - 6) Forced Entry Test, per FBC 2411 3.2.1, TAS 202-94

along with marked-up drawings and installation diagram of Series/Model 8" x 8" x 4" THICKSET 90 glass block assembly", prepared by Architectural Testing, Inc., Test Report No. **01-44639.03**, dated 12/02/2003, signed and sealed by Joseph A. Reed, P.E.

C. **CALCULATIONS** *"Submitted under NOA # 15-1201.12"*

1. Anchor calculations prepared by Building Drops, Inc., dated 12/08/2015, signed and sealed by Hermes F. Norero, P.E.

"Submitted under NOA # 12-0406.05"

2. Anchor calculations prepared by Building Drops, Inc., dated 04/03/2012, signed and sealed by Hermes F. Norero, P.E.

"Submitted under NOA # 04-0301.01"

3. Calculations prepared by Engineering Analytics, Inc, sheets 1 through 4, of Thickset Series Fasteners, dated 05/02/2005, signed and sealed by Carol D. Hays, P.E.


01/31/2018

Carlos M. Utrera, P.E.
Product Control Examiner
NOA No. 17-0821.14
Expiration Date: December 1, 2020
Approval Date: February 8, 2018

NOTICE OF ACCEPTANCE: EVIDENCE SUBMITTED

D. QUALITY ASSURANCE

1. Miami-Dade Department of Regulatory and Economic Resources (RER)

E. MATERIAL CERTIFICATIONS

1. Notice of Acceptance No. **14-0909.11**, issued to Cardinal Systems, Inc., for their Rigid PVC Extrusions for Glass Block, approved on 12/11/2014 and expiring on 12/01/2020.

F. STATEMENTS “Submitted under NOA # 15-1201.12”

1. Statement letter of code conformance to the 5th edition (2014) of the FBC and of no financial interest, issued by Building Drops, dated 12/08/2015, signed and sealed by Hermes F. Norero, P.E.

“Submitted under NOA # 12-0406.05”

2. Statement letter of code conformance to 2010 FBC and no financial interest, issued by Building Drops, dated 04/03/2012, signed and sealed by Hermes F. Norero, P.E.

2. New evidence submitted

A. DRAWINGS

1. Drawing No. **RHRW-001**, titled “Residential Hurricane Resistant Windows with THICKSET® 90 Series Glass Block and ProVantage® Silicone System”, sheets 1 through 3 of 3, dated 11/17/2015, prepared by the manufacturer, signed and sealed by Hermes F. Norero, P.E. on 12/19/2017.

B. TESTS

1. None.

C. CALCULATIONS

1. Product Evaluation Report No. 4742, prepared by Building Drops, dated 04/12/2017, signed and sealed by Hermes F. Norero, P.E.

D. QUALITY ASSURANCE

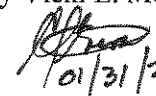
1. Miami-Dade Department of Regulatory and Economic Resources (RER)

E. MATERIAL CERTIFICATIONS

1. None.

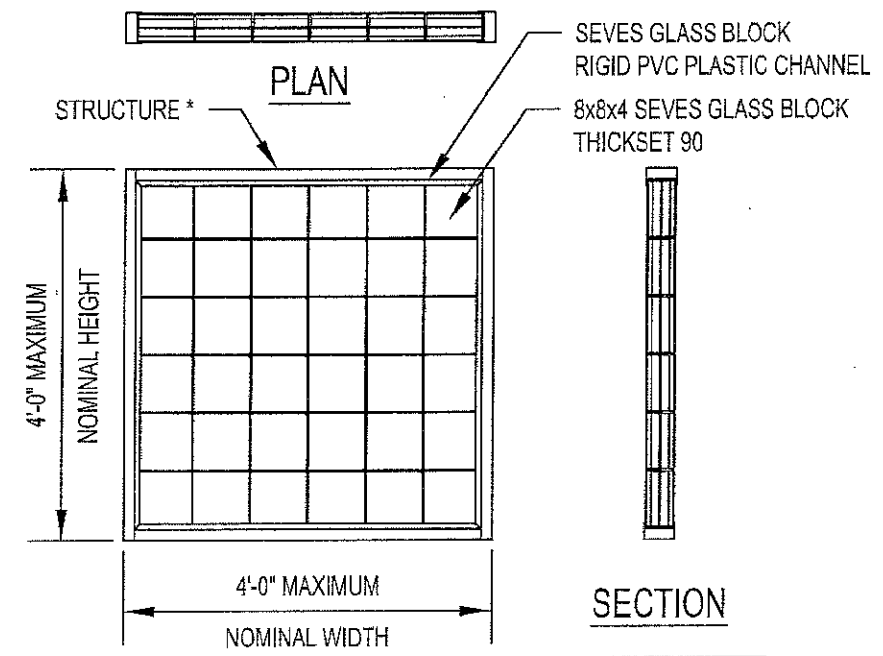
F. STATEMENTS

1. Statement letter of code conformance to the 6th Edition (2017) FBC issued by Building Drops, dated 12/15/2017, signed and sealed by Hermes F. Norero, P.E.
2. Testing schedule letter issued by Intertek, dated 12/08/2017, signed by Vicki L. McElwain.
3. Agreement and bill of sale dated 08/24/2016.
4. Declaration of the ownership dated 12/01/2016.


01/31/2018

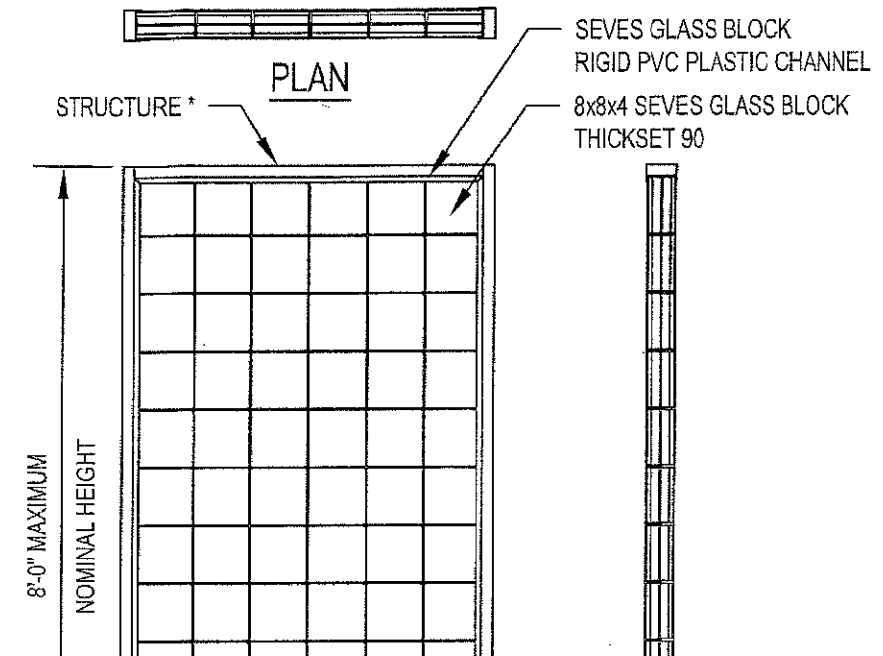
Carlos M. Utrera, P.E.
Product Control Examiner
NOA No. 17-0821.14
Expiration Date: December 1, 2020
Approval Date: February 8, 2018

REVISIONS		
REV	DESCRIPTION	DATE
-	-	-

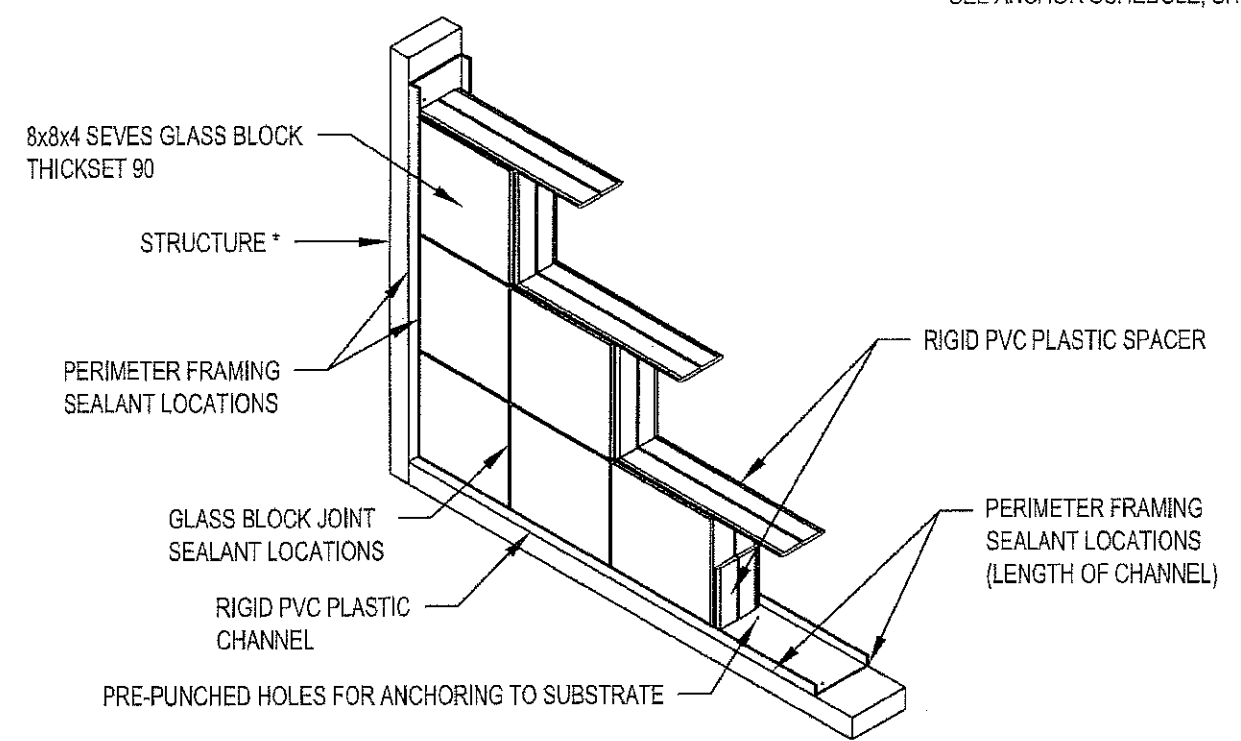


IMPACT RESISTANT
DESIGN PRESSURE RATING
± 100.0 PSF

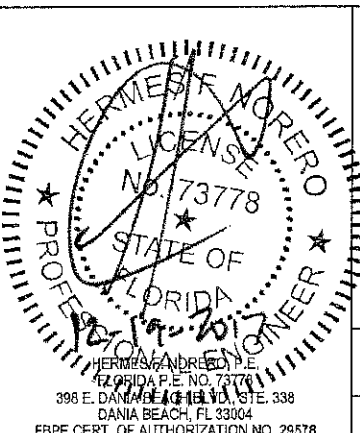
* SEE ANCHOR SCHEDULE, SHEET 3.



IMPACT RESISTANT
DESIGN PRESSURE RATING
± 80.0 PSF

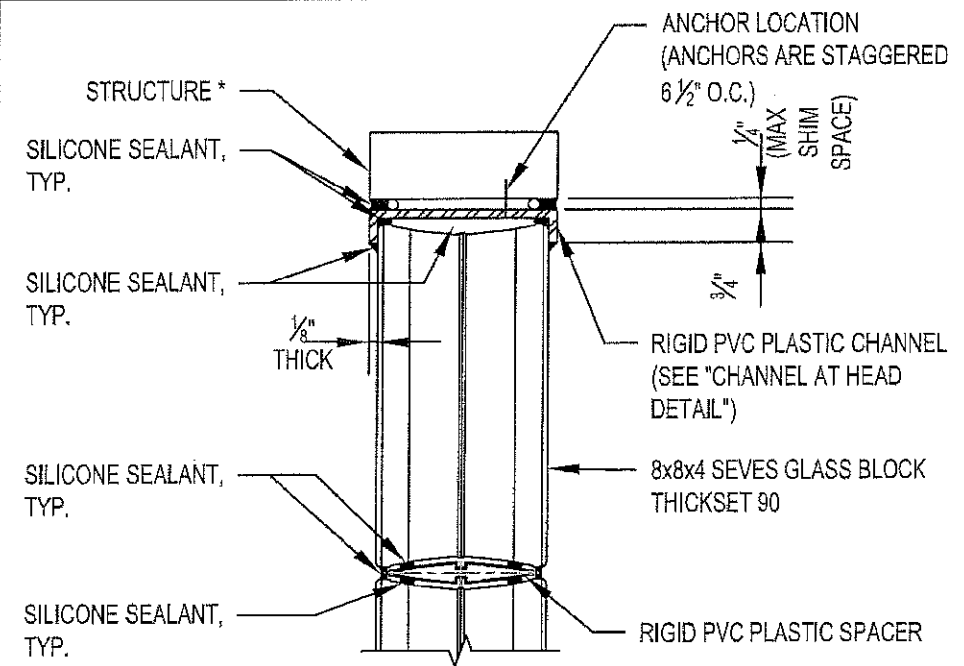


PRODUCT REVISED
 as complying with the Florida
 Building Code
 NOA-No. **17-0821.14**
 Expiration Date **12/01/2020**
 By *[Signature]*
 Miami-Dade Product Control

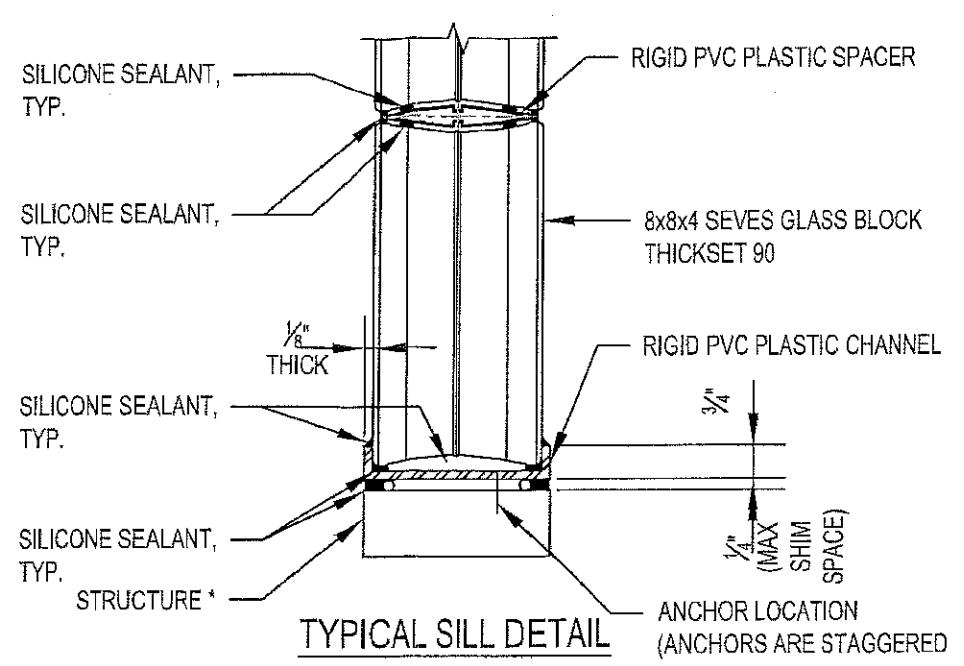


TITLE Residential Hurricane Resistant Windows With THICKSET® 90 Series Glass Block And ProVantage® Silicone System			
SEVES GLASS BLOCK, INC. 10576 BROADVIEW ROAD BROADVIEW HEIGHTS, OH 44147			
SCALE 1/2" = 1'-0"	DWG. NO. RHRW-001	REV 0	
BY LMS	DATE 11/17/2015	SHEET 1 OF 3	

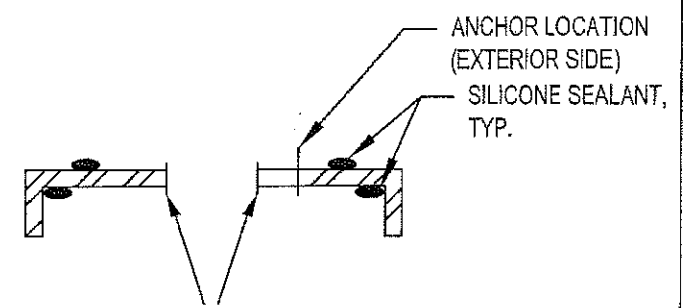
REVISIONS		
REV	DESCRIPTION	DATE
-	-	-



TYPICAL HEAD DETAIL
SCALE: 3" = 1'-0"



TYPICAL SILL DETAIL
SCALE: 3" = 1'-0"

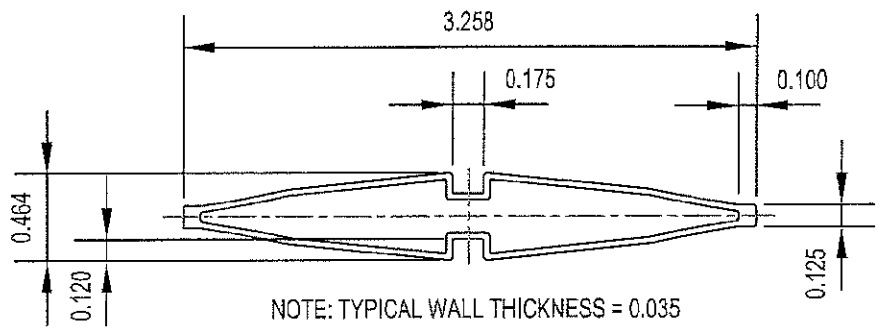


PERIMETER CHANNEL, AT HEAD, TO BE CUT LENGTHWISE DOWN THE CENTER FOR INSTALLATION OF LAST ROW OF GLASS BLOCK.

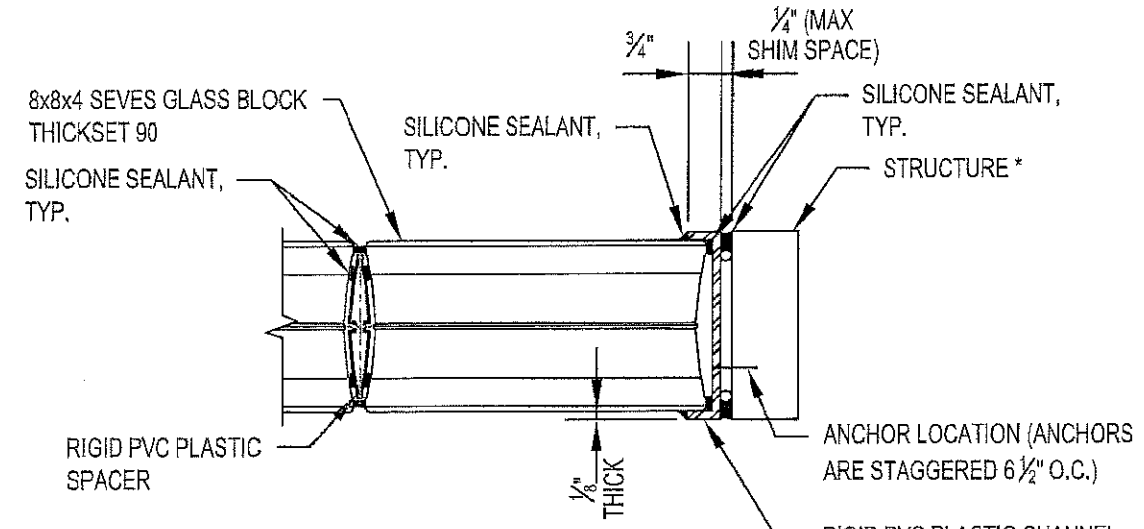
HALF CHANNEL PIECE THAT IS SECURED WITH SCREWS, SHOULD BE ON THE EXTERIOR SIDE.

1/4" BEAD OF SEALANT APPLIED HORIZONTALLY ACROSS THE TOP INSIDE CORNERS OF CHANNEL HALVES.

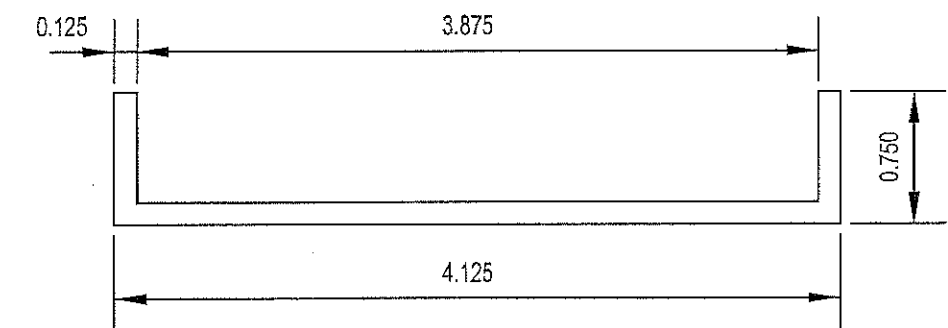
CHANNEL AT HEAD DETAIL
SCALE: 1/2" = 1"



PVC SPACER (NO. QP-0514)
CARDINAL SYSTEMS, INC.
SCALE 1:1

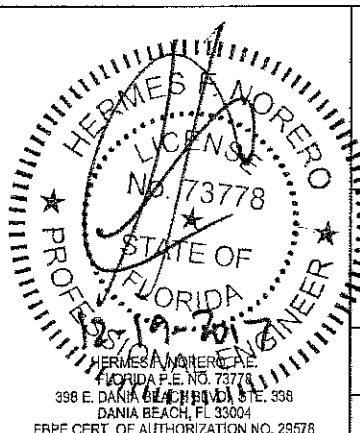


TYPICAL JAMB DETAIL
SCALE: 3" = 1'-0"



PVC CHANNEL (NO. QP-0477)
CARDINAL SYSTEMS, INC.
SCALE 1:1

PRODUCT REVISED
as complying with the Florida Building Code
NOA-No. **17-0821.14**
Expiration Date **12/01/2020**
By *[Signature]*
Miami-Dade Product Control



TITLE Residential Hurricane Resistant Windows With THICKSET® 90 Series Glass Block And ProVantage® Silicone System			
SEVES GLASS BLOCK, INC. 10576 BROADVIEW ROAD BROADVIEW HEIGHTS, OH 44147			
SCALE VARIES	DWG. NO. RHRW-001	REV 0	
BY LMS	DATE 11/17/2015	SHEET 2 OF 3	

REVISIONS		
REV	DESCRIPTION	DATE
-	-	-

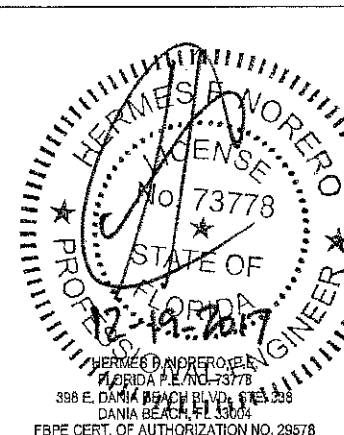
SPECIFICATION NOTES:

- **GLASS BLOCK UNITS:** Thickset @ 90 Series 8"x8"x4" or 6"x6"x4" (nominal size).
- **FRAME AND SPACERS:** Extruded white rigid PVC. Frame corners are cut square or mitered and are silicone sealed. Extruded by Cardinal Systems, Inc.
- **SEALANT:** Seves Glass Block Sealant. One part neutral fast curing structural silicone sealant.
- **SEALANT LOCATIONS:** All horizontal and vertical glass block joints; inside corners of perimeter channels; two beads (1/2" from each edge) between back of perimeter channels and framing members; two beads each above and below "long" horizontal spacer and "short" vertical spacers; perimeter joints between glass block and channel legs; and perimeter joints between channels and framing members.
- **REINFORCEMENT:** PVC spacers between all horizontal and vertical joints. Spacers in channels are not required.
- **SHIM SPACES:** Maximum 1/4" shim space between the perimeter channel and wood frame.
- **FIELD INSTALLATION:** Loose materials (glass block, spacers, channels and sealant) are available from Seves Glass Block authorized distributors, dealers and home centers for on-site installation. Complete window units, framed within 2x6 treated lumber, and pre-fabricated by Seves Glass Block in accordance with these instructions, are also available from authorized distributors, dealers and home centers. **NOTE:** These windows are recommended for **RESIDENTIAL APPLICATIONS ONLY.**

ANCHORAGE SCHEDULE					
SUBSTRATE	MATERIAL DATA	FASTENER	SPACING	MIN. EMBEDMENT (E)	MIN. EDGE DISTANCE (E.D.)
STEEL	MIN. 18 GA. f _y = 33 KSI	#10-16 HWH ITW TEK SCREW GR. 5 (FLAT HEAD)	2" FROM CORNER, 6 1/2" O.C.	3 THREADS PENETRATION BEYOND STEEL FRAMING	3/4"
CONCRETE	MIN. f _c = 3000 PSI	3/16"Ø HILTI KWIK CON II+ (FLAT HEAD)	2" FROM CORNER, 6 1/2" O.C.	1"	1 1/2"
		3/16"Ø ITW TAPCONS	2" FROM CORNER, 6 1/2" O.C.	1"	2"
MASONRY	CONFORMS TO ASTM C90 GROUT CONFORMS TO ASTM C476 MIN. GROUT f _c = 2000 PSI	3/16"Ø HILTI KWIK CON II+ (FLAT HEAD)	2" FROM CORNER, 6 1/2" O.C.	1"	1 1/2"
		3/16"Ø ITW TAPCONS	2" FROM CORNER, 6 1/2" O.C.	1"	2"
WOOD	MIN. S.G. = 0.55	#8 WOOD SCREW (FLAT HEAD)	2" FROM CORNER, 6 1/2" O.C.	1-1/2"	3/4"

SEVES GLASS BLOCK			
SERIES	PATTERN	NOMINAL DIM.	MIN. FACE THICKNESS
THICKSET® 90	NUBIO®	8"x8"x4"	0.75 IN.
		6"x6"x4"	0.75 IN.
THICKSET® 90	CLARITY®	8"x8"x4"	0.75 IN.
		6"x6"x4"	0.75 IN.
THICKSET® 90	ENDURA®	8"x8"x4"	0.75 IN.

PRODUCT REVISED
as complying with the Florida
Building Code
NOA-No. **17-0821.14**
Expiration Date **12/01/2020**
By *[Signature]*
Miami-Dade Product Control



TITLE Residential Hurricane Resistant Windows With THICKSET® 90 Series Glass Block And ProVantage® Silicone System			
SEVES GLASS BLOCK, INC. 10576 BROADVIEW ROAD BROADVIEW HEIGHTS, OH 44147			
SCALE	NTS	DWG. NO.	RHRW-001
BY	LMS	DATE	11/17/2015
SHEET	3 OF 3	REV	0